

INSTALLING A BASE PLATE AND ACCESSORY ASSEMBLY ON ALL MERCHANDISERS

EXCEPT

MODELS 147, 148, 411, 474, 475, 623, 626, AND FM-72

Refer to Figure 1 while completing the following procedure:

WARNING

DO NOT MOVE THE CABINET WHILE THE HEX HEAD SCREWS ARE REMOVED FROM THE LEG ASSEMBLIES. THE CABINET WOULD BECOME UNSTABLE AND LIKELY TO TIP AND CAUSE INJURY.

1. Remove the inner pair of hex head screws from one of the front cabinet leg assemblies.
2. Secure one of the base plate brackets to the leg assembly. Use the two screws previously removed.
3. Secure the other base plate bracket by repeating steps 1 and 2.
4. Insert the short arms of the slides into the hinged tabs of the base plate. Position the slide so the notch near the short arm is on the bottom side.
5. Insert the long arms of the slides into the base plate brackets.
6. Insert and secure a cotter pin through the hole in the back of each of the slides.
7. On merchandisers that have a stationary door support leg, loosen the outer pair of screws that secure the right front leg assembly to the cabinet.
8. Push the base plate toward the merchandiser cabinet. The front tabs of the base plate brackets should seat in the notches in the long arms of the slides.
9. Position the base plate extension next to the base plate. Tighten the screws previously loosened.

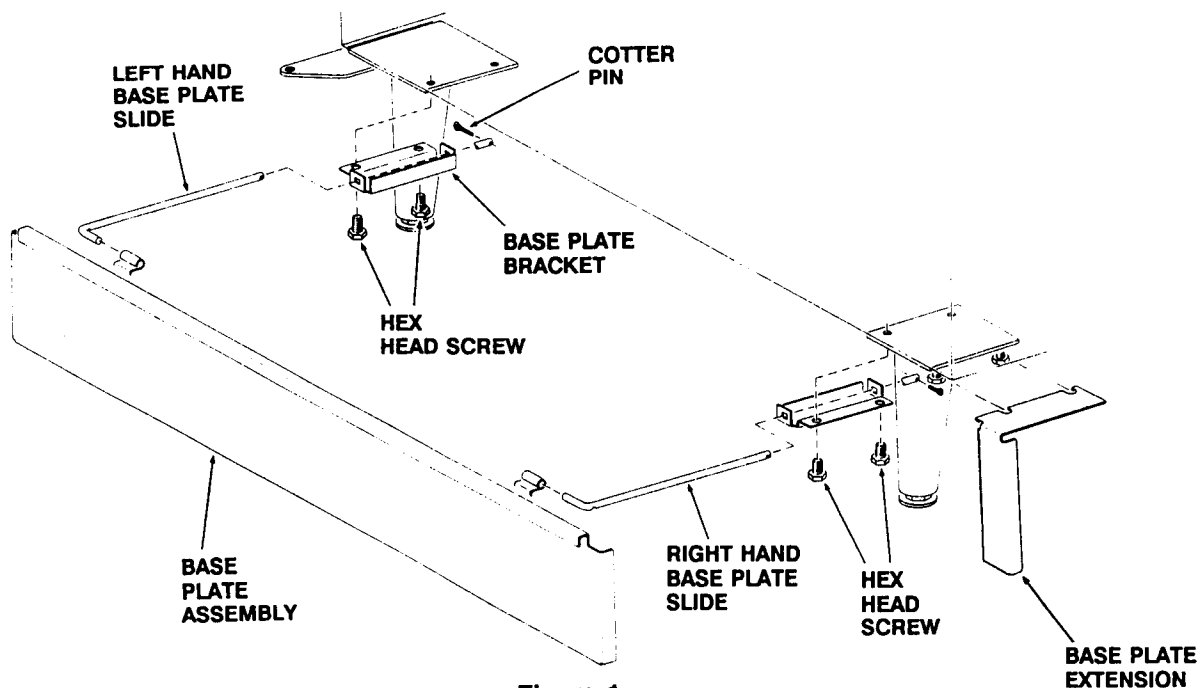


Figure 1

**INSTALLING THE BASE PLATE AND ACCESSORY ASSEMBLY ON A MODEL 147 OR 475
MERCHANTISER**

Refer to Figure 2 while completing the following procedure:

NOTE

There are three pairs of mounting holes in the bottom of the lower cabinet extension. These holes will be designed for use in mounting the Base Plate and Accessory Assembly.

1. The pair of mounting holes furthest to the right side should be used when mounting the Extension and Support Assembly. Use two of the self-tapping hex head screws to secure the support assembly to the lower cabinet extension.
2. Use two of the hex head screws to secure a base plate bracket spacer and a base plate bracket at each of the remaining pairs of mounting holes.
3. Insert the short arms of the slides into the hinged tabs of the base plate. Position the slide so the notch near the short arm is on the bottom side.
4. Insert the long arms of the slides into the base plate brackets.
5. Insert and secure a cotter pin through the hole in the back end of each of the slides.
6. Push the base plate toward the merchandiser cabinet. The front tabs of the base plate brackets should seat in the notches in the long arms of the slides.

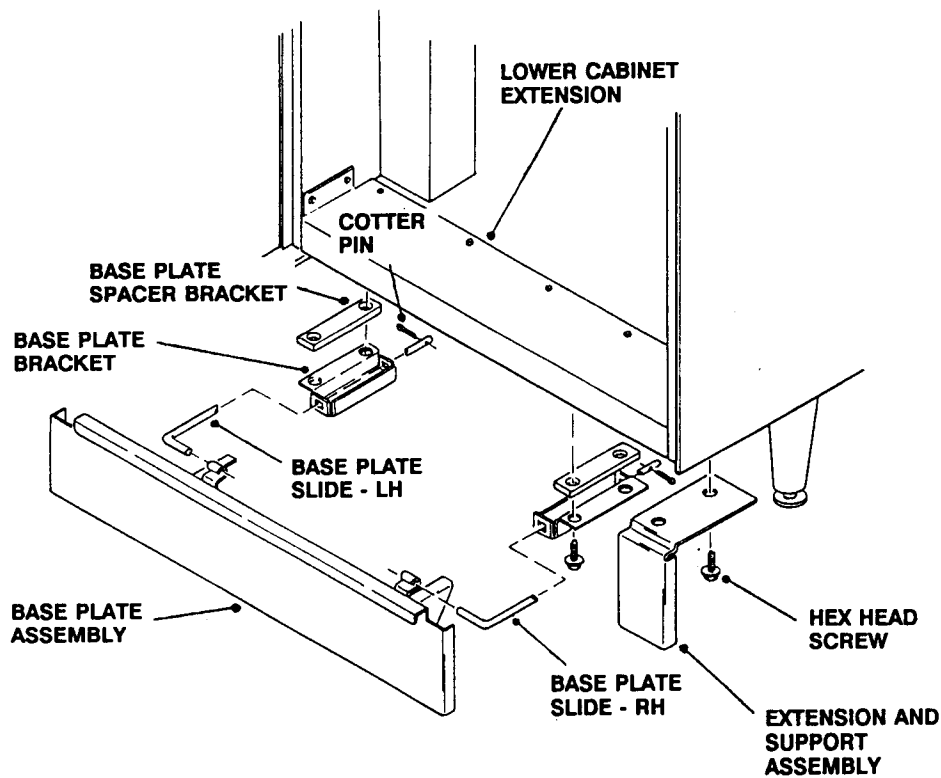


Figure 2

**INSTALLING THE BASE PLATE AND ACCESSORY ASSEMBLY ON A 148 OR 474
MERCHANTISER**

Refer to Figure 3 while completing the following procedure:

NOTE

There are two pairs of mounting holes in the bottom of the lower cabinet extension. These holes will be designed for use in mounting the Base Plate and Accessory Assembly.

1. Use two of the hex head screws to secure a base plate bracket spacer and a base plate bracket at each pair of mounting holes.
2. Insert the short arms of the slides into the hinged tabs of the base plate. Position the slide so the notch near the short arm is on the bottom side.
3. Insert the long arms of the slides into the base plate brackets.
4. Insert and secure a cotter pin through the hole in the back end of each of the slides.
5. Push the base plate toward the merchandiser cabinet. The front tabs of the base plate brackets should seat in the notches in the long arms of the slides.

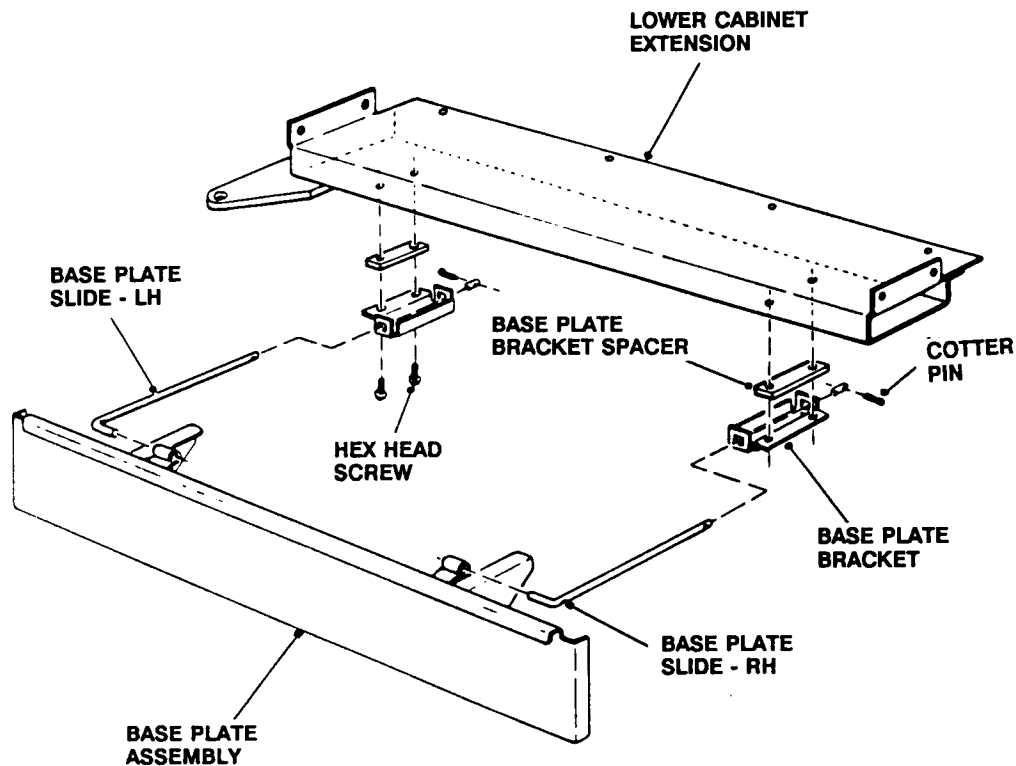


Figure 3

INSTALLING THE BASE PLATE AND ACCESSORY ASSEMBLY ON A MODEL FM-72 FOOD MERCHANDISER

Refer to Figure 4 while completing the following procedure:

1. Position one base plate bracket on the right base access panel support.

CAUTION

During the next step, hold the base plate bracket firmly in position while tightening the hex head screws.

2. Attach the base plate bracket to the base access panel support. Use one of the hex head screws included in the kit.
3. Attach a base plate bracket to the left base access panel support by repeating steps 1 and 2.
4. Insert the short arms of the slides into the hinged tabs of the base plate. Position the slide so the notch near the short arm is on the bottom side.
5. Insert the long arms of the slides into the base plate brackets.
6. Insert and secure a cotter pin through the hole in the back end of each of the slides.
7. Push the base plate toward the merchandiser cabinet. The front tabs of the base plate brackets should seat in the notches in the long arms of the slides.

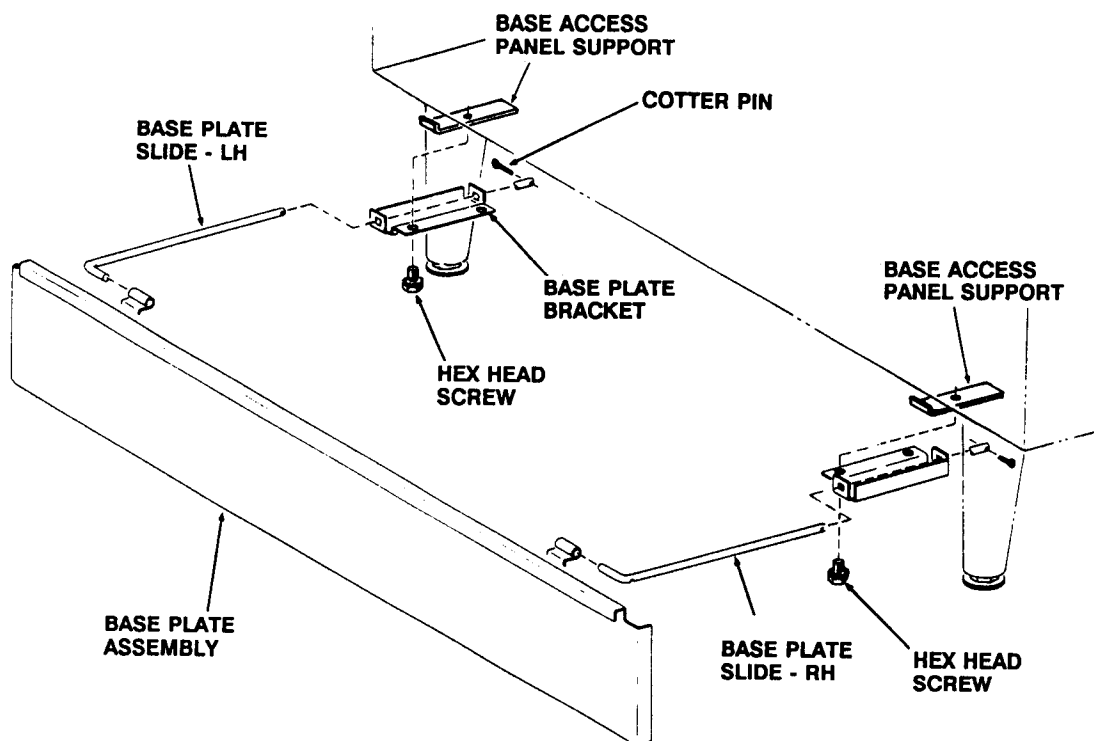


Figure 4

**INSTALLING A BASE PLATE AND ACCESSORY ASSEMBLY ON A MODEL 623, 626 OR 411
MERCHANTISER**

Refer to Figure 5 while completing the following procedure:

WARNING

**DO NOT MOVE THE CABINET WHILE
HEX HEAD SCREWS AND/OR
CARRIAGE BOLTS ARE LOOSENED.
THE CABINET WOULD BECOME
UNSTABLE AND LIKELY TO TIP AND
CAUSE INJURY.**

1. Remove the pail(s) from the inside of the merchandiser.
2. Remove the floor liner from the inside of the merchandiser.
3. Remove two caps as shown.
4. Loosen the left leg assembly carriage bolts and nuts to allow mounting a base plate bracket.
5. Secure one of the base plate brackets to the leg assembly using the two carriage bolts. Tighten the carriage bolts and nuts.
6. Loosen the right leg assembly hex head screws to allow mounting the other base plate bracket.
7. Secure the other base plate bracket to the right leg assembly using the two hex head screws. Tighten the hex head screws.
8. Insert the short arms of the slides into the hinged tabs of the base plate. Position the slide so the notch near the short arm is on the bottom side.
9. Insert the long arms of the slides into the base plate brackets.
10. Insert and secure a cotter pin through the hole in the back of each of the slides.
11. Push the base plate toward the merchandiser cabinet. The front tabs of the base plate brackets should seat in the notches in the long arms of the slides.
12. Replace the caps, liner, and pail(s) removed previously.

NOTE: For model 411, begin with Step 4.

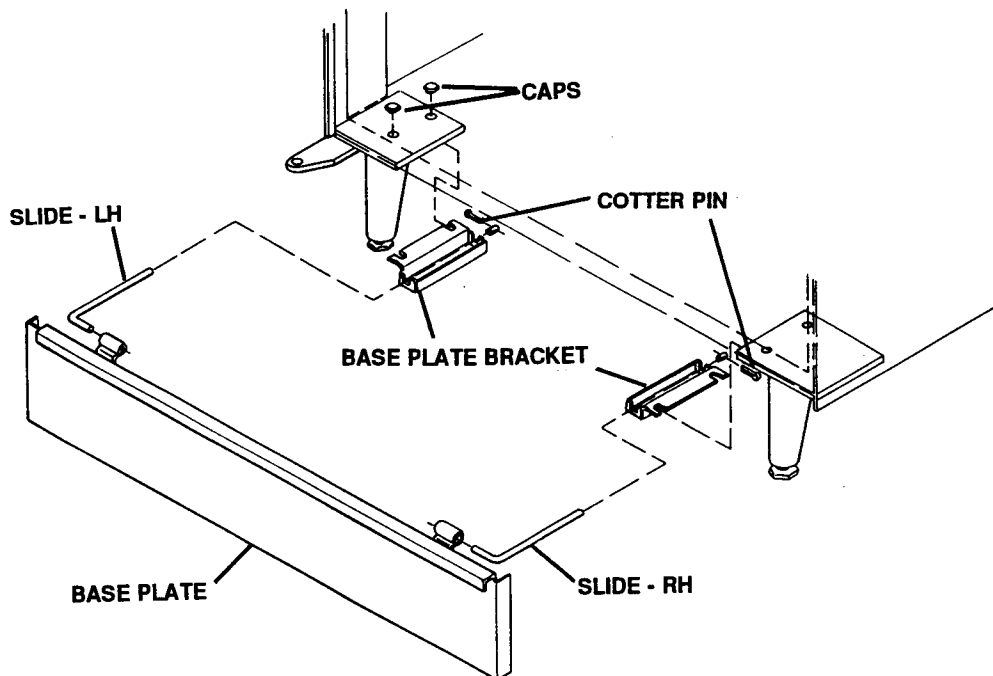


Figure 5



INSTRUCTIONS FOR INSTALLING A BASE PLATE AND ACCESSORY ASSEMBLY

**CHECK THE PARTS RECEIVED IN THE KIT WITH THE PARTS LIST
IN THESE INSTRUCTIONS. IF ANY PARTS ARE MISSING,
CONTACT NATIONAL VENDORS' PARTS DEPARTMENT IMMEDIATELY.**

Read these instructions carefully before installing the kit.
Retain these instructions for part numbers and for future reference.

These kits contains the following:

KIT PART NUMBER	INSTRUCTION	LOOSE PARTS BAG ASSEMBLY	BASE PLATE ASSEMBLY	EXTENSION AND SUPPORT ASSEMBLY
1471200	4110004	1471093	1471201	1471202
1481039	4110004	1471093	1481040	N/A
2271404	4110004	1411196	2271405	2271406
2271407	4110004	1411196	2271408	N/A
4101404	4110004	1411196	4101405	N/A
4111100	4110004	6231086	4111091	N/A
4171190	4110004	4171177	2271408	N/A
4251204	4110004	1411196	4251205	N/A
4301520	4110004	4301510	2271408	N/A
4721048	4110004	1411196	4721049	N/A
6231085	4110004	6231086	2271408	N/A
6261033	4110004	6231086	6261025	N/A

PARTS INCLUDED IN THE LOOSE PARTS BAG ASSEMBLIES

LOOSE PARTS BAG ASSEMBLY						
LOOSE PARTS	QTY	1411196	1471093	4171177	4301510	6231086
Base plate bracket	2	1411193	1411193	1411193	1411193	6231087
Base plate slide - RH	1	1411194	1411194	1411194	4301511	1411194
Base plate slide - LH	1	1411195	1411195	1411195	4301512	1411195
Cotter pin	2	9900098	9900098	9900098	9900098	9900098
Screw .31-18 x 1.00 Hex Head, T/F	6	N/A	1451093	N/A	N/A	N/A
Screw 1/4-20 x 1/2 Hex Head, W/LW	2	N/A	N/A	3101144	N/A	N/A
Base plate spacer	2	N/A	1471094	N/A	N/A	N/A

INSTALLING A BASE PLATE AND ACCESSORY ASSEMBLY ON ALL MERCHANDISERS

EXCEPT

MODELS 147, 148, 411, 474, 475, 623, 626, AND FM-72

Refer to Figure 1 while completing the following procedure:

WARNING

DO NOT MOVE THE CABINET WHILE THE HEX HEAD SCREWS ARE REMOVED FROM THE LEG ASSEMBLIES. THE CABINET WOULD BECOME UNSTABLE AND LIKELY TO TIP AND CAUSE INJURY.

1. Remove the inner pair of hex head screws from one of the front cabinet leg assemblies.
2. Secure one of the base plate brackets to the leg assembly. Use the two screws previously removed.
3. Secure the other base plate bracket by repeating steps 1 and 2.
4. Insert the short arms of the slides into the hinged tabs of the base plate. Position the slide so the notch near the short arm is on the bottom side.
5. Insert the long arms of the slides into the base plate brackets.
6. Insert and secure a cotter pin through the hole in the back of each of the slides.
7. On merchandisers that have a stationary door support leg, loosen the outer pair of screws that secure the right front leg assembly to the cabinet.
8. Push the base plate toward the merchandiser cabinet. The front tabs of the base plate brackets should seat in the notches in the long arms of the slides.
9. Position the base plate extension next to the base plate. Tighten the screws previously loosened.

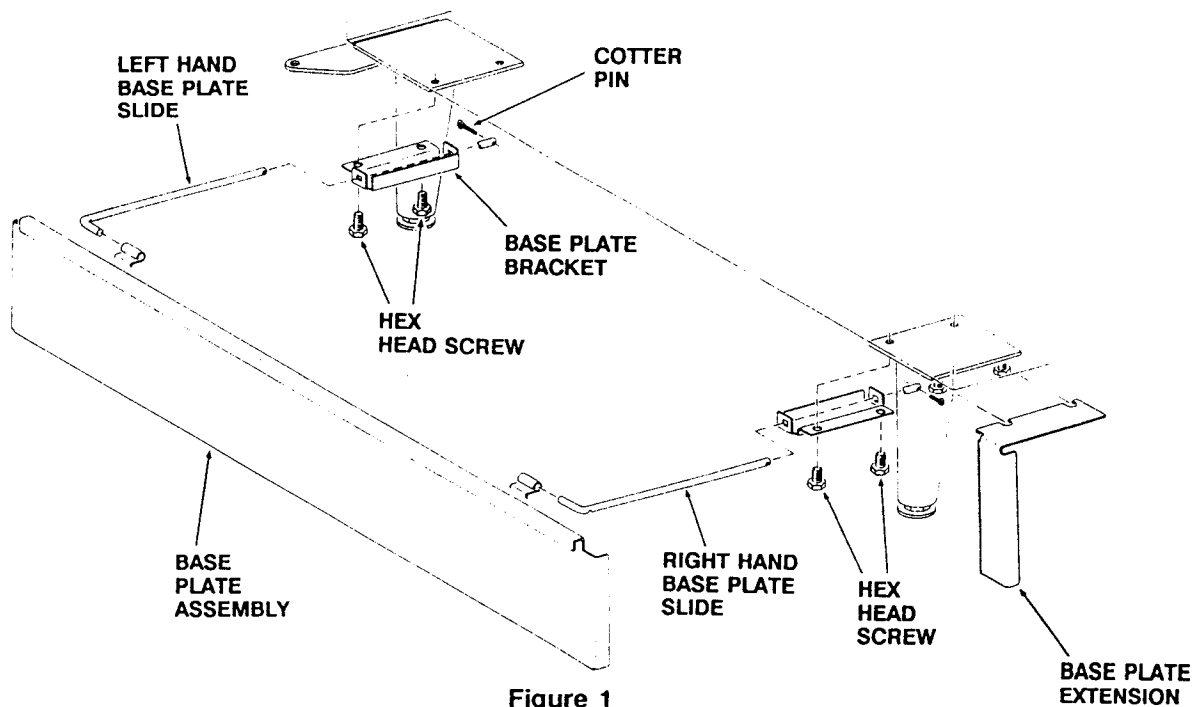


Figure 1

**INSTALLING THE BASE PLATE AND ACCESSORY ASSEMBLY ON A MODEL 147 OR 475
MERCHANDISER**

Refer to Figure 2 while completing the following procedure:

NOTE

There are three pairs of mounting holes in the bottom of the lower cabinet extension. These holes were designed for use in mounting the Base Plate and Accessory Assembly.

1. The pair of mounting holes furthest to the right side should be used when mounting the Extension and Support Assembly. Use two of the self-tapping hex head screws to secure the support assembly to the lower cabinet extension.
2. Use two of the hex head screws to secure a base plate bracket spacer and a base plate bracket at each of the remaining pairs of mounting holes.
3. Insert the short arms of the slides into the hinged tabs of the base plate. Position the slide so the notch near the short arm is on the bottom side.
4. Insert the long arms of the slides into the base plate brackets.
5. Insert and secure a cotter pin through the hole in the back end of each of the slides.
6. Push the base plate toward the merchandiser cabinet. The front tabs of the base plate brackets should seat in the notches in the long arms of the slides.

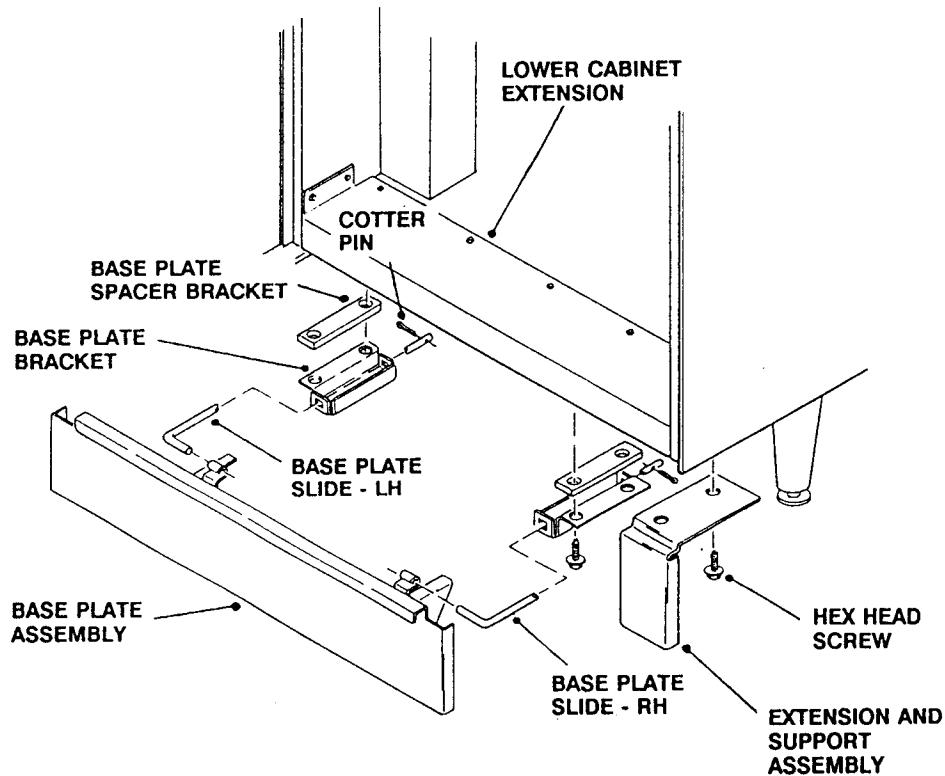


Figure 2

**INSTALLING THE BASE PLATE AND ACCESSORY ASSEMBLY ON A 148 OR 474
MERCHANDISER**

Refer to Figure 3 while completing the following procedure:

NOTE

There are two pairs of mounting holes in the bottom of the lower cabinet extension. These holes were designed for use in mounting the Base Plate and Accessory Assembly.

1. Use two of the hex head screws to secure a base plate bracket spacer and a base plate bracket at each pair of mounting holes.
2. Insert the short arms of the slides into the hinged tabs of the base plate. Position the slide so the notch near the short arm is on the bottom side.
3. Insert the long arms of the slides into the base plate brackets.
4. Insert and secure a cotter pin through the hole in the back end of each of the slides.
5. Push the base plate toward the merchandiser cabinet. The front tabs of the base plate brackets should seat in the notches in the long arms of the slides.

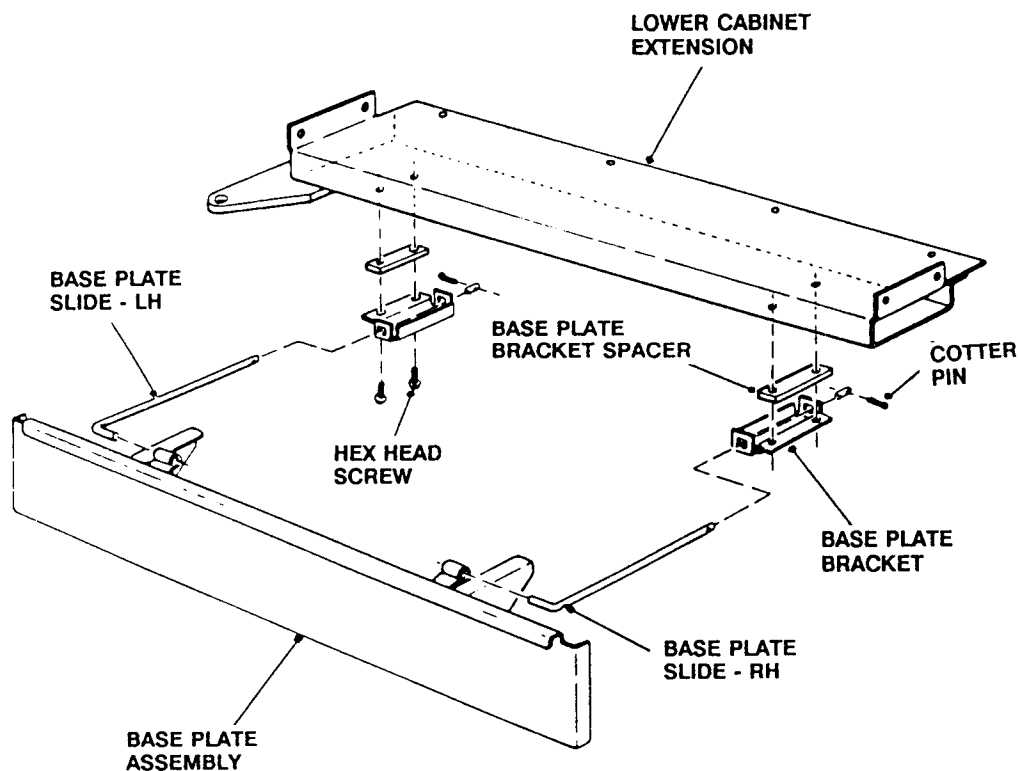


Figure 3

**INSTALLING THE BASE PLATE AND ACCESSORY ASSEMBLY ON A MODEL FM-72 FOOD
MERCHANTISER**

Refer to Figure 4 while completing the following procedure:

1. Position one base plate bracket on the right base access panel support.

CAUTION

During the next step, hold the base plate bracket firmly in position while tightening the hex head screws.

2. Attach the base plate bracket to the base access panel support. Use one of the hex head screws included in the kit.
3. Attach a base plate bracket to the left base access panel support by repeating steps 1 and 2.
4. Insert the short arms of the slides into the hinged tabs of the base plate. Position the slide so the notch near the short arm is on the bottom side.
5. Insert the long arms of the slides into the base plate brackets.
6. Insert and secure a cotter pin through the hole in the back end of each of the slides.
7. Push the base plate toward the merchandiser cabinet. The front tabs of the base plate brackets should seat in the notches in the long arms of the slides.

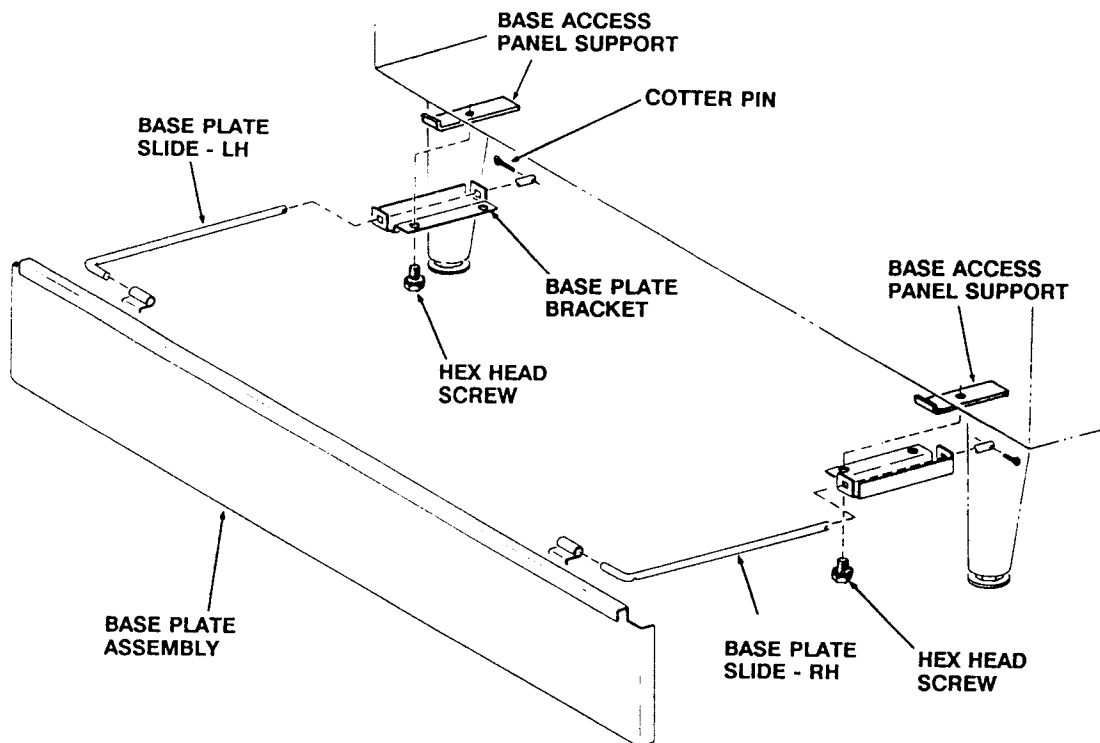


Figure 4

**INSTALLING A BASE PLATE AND ACCESSORY ASSEMBLY ON A MODEL 623, 626 OR 411
MERCHANTISER**

Refer to Figure 5 while completing the following procedure:

WARNING

**DO NOT MOVE THE CABINET WHILE
HEX HEAD SCREWS AND/OR
CARRIAGE BOLTS ARE LOOSENED.
THE CABINET WOULD BECOME
UNSTABLE AND LIKELY TO TIP AND
CAUSE INJURY.**

1. Remove the pail(s) from the inside of the merchandiser.
2. Remove the floor liner from the inside of the merchandiser.
3. Remove two caps as shown.
4. Loosen the left leg assembly carriage bolts and nuts to allow mounting a base plate bracket.
5. Secure one of the base plate brackets to the leg assembly using the two carriage bolts. Tighten the carriage bolts and nuts.
6. Loosen the right leg assembly hex head screws to allow mounting the other base plate bracket.
7. Secure the other base plate bracket to the right leg assembly using the two hex head screws. Tighten the hex head screws.
8. Insert the short arms of the slides into the hinged tabs of the base plate. Position the slide so the notch near the short arm is on the bottom side.
9. Insert the long arms of the slides into the base plate brackets.
10. Insert and secure a cotter pin through the hole in the back of each of the slides.
11. Push the base plate toward the merchandiser cabinet. The front tabs of the base plate brackets should seat in the notches in the long arms of the slides.
12. Replace the caps, liner, and pail(s) removed previously.

NOTE: For model 411, begin with Step 4.

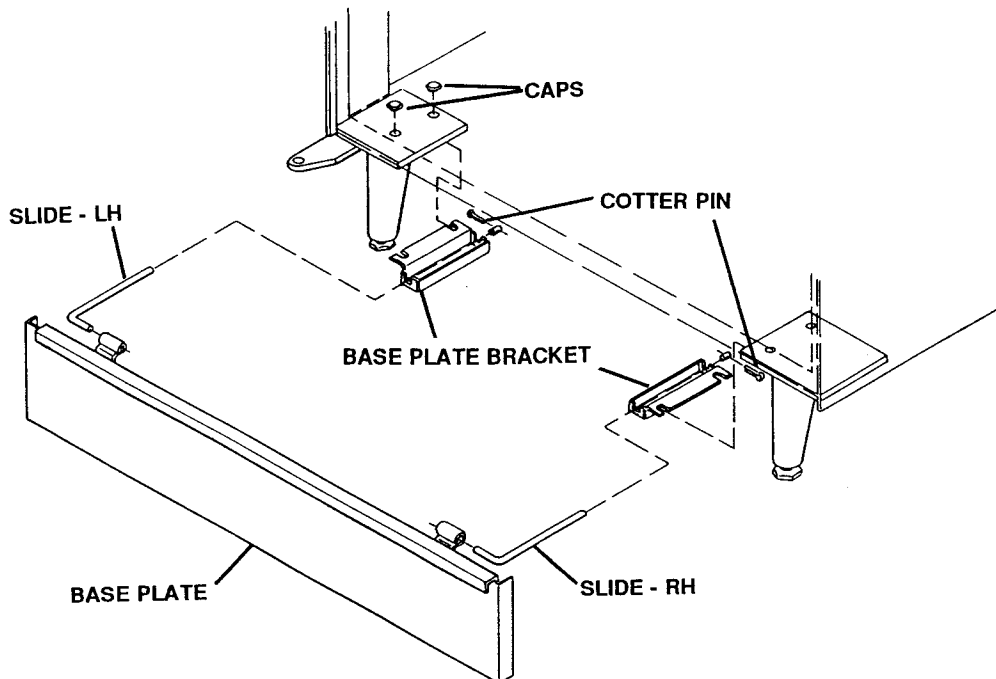


Figure 5